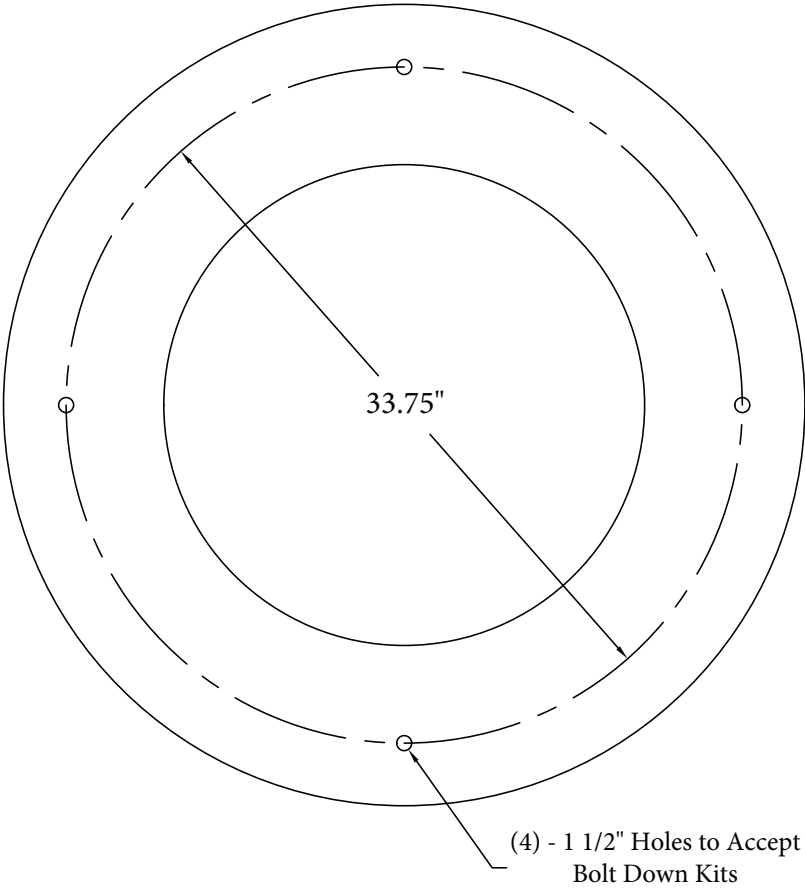
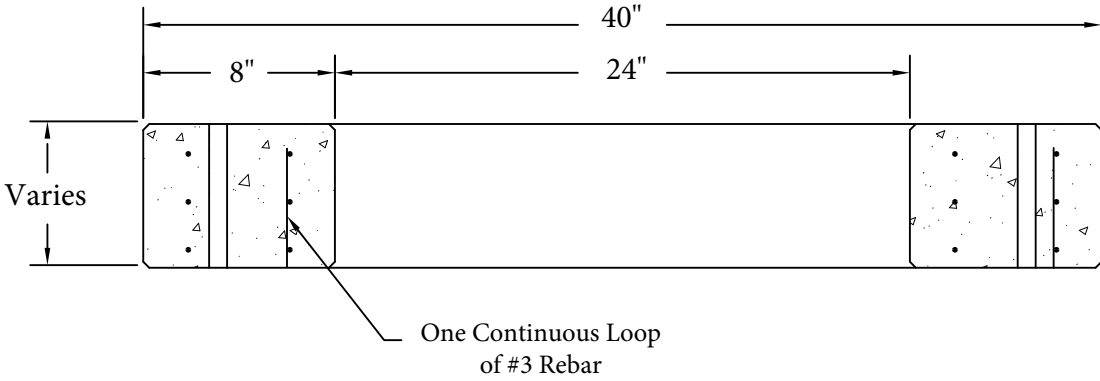
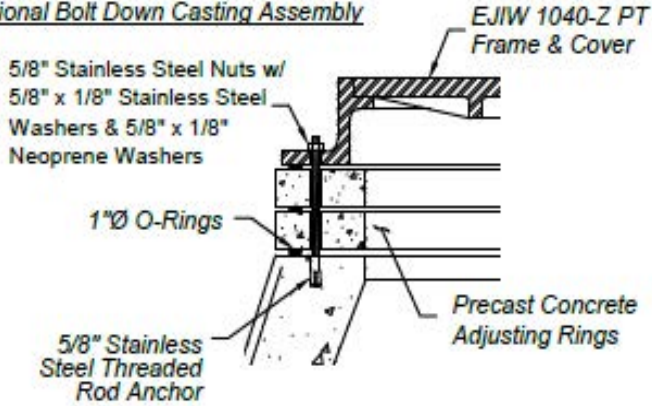


Adjusting Rings



Optional Bolt Down Casting Assembly



Adjusting Rings Are Manufactured To ASTM C-478 Specifications



Diamond Precast reserves the right to make changes to product design without notice. Please contact Diamond Precast whenever necessary for confirmation or advice on product design.