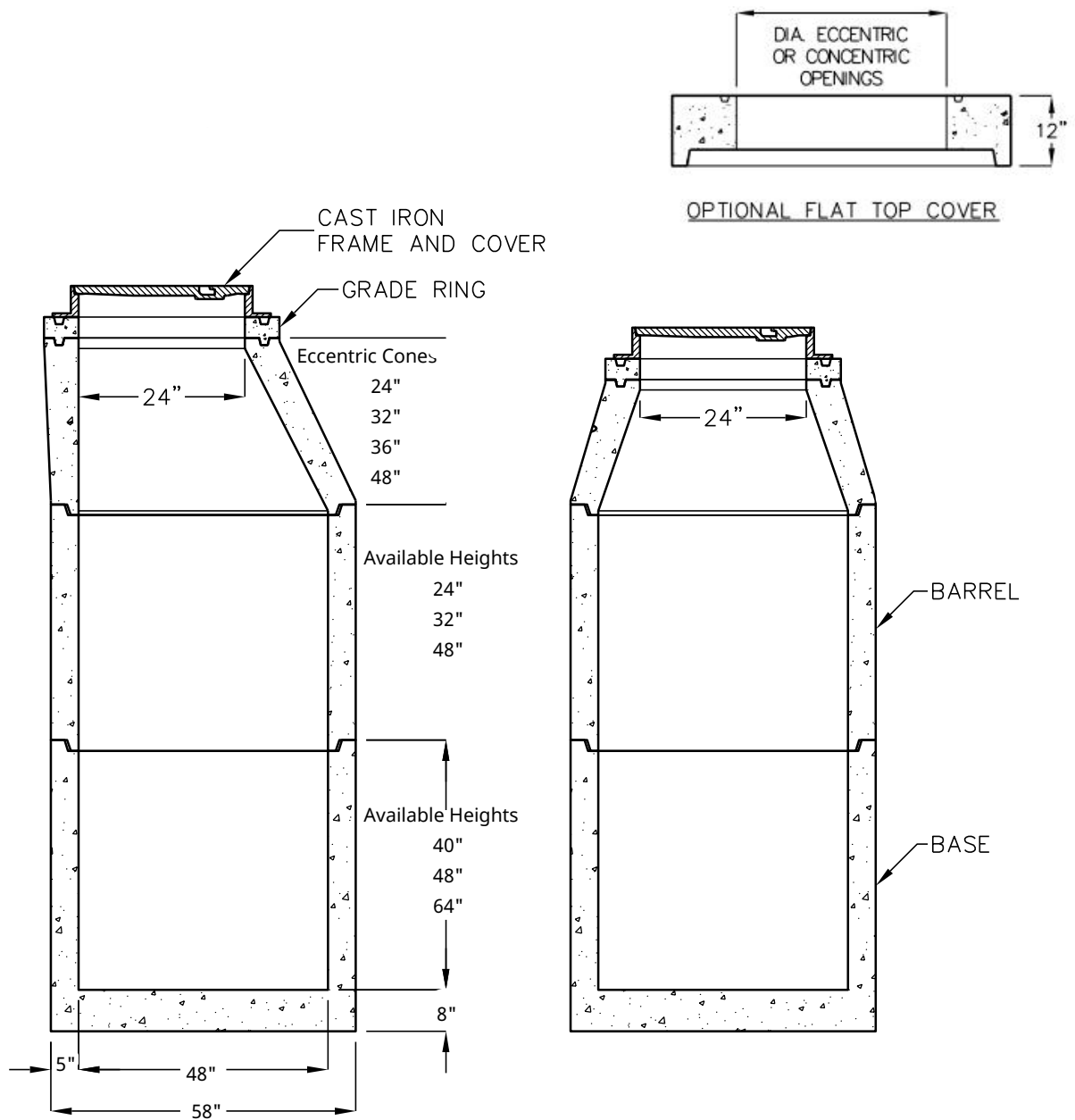


48" Storm Manhole



Manhole Components Are Manufactured To ASTM C-478 Specifications

Diamond Precast reserves the right to make changes to product design without notice. Please contact Diamond Precast whenever necessary for confirmation or advice on product design.

