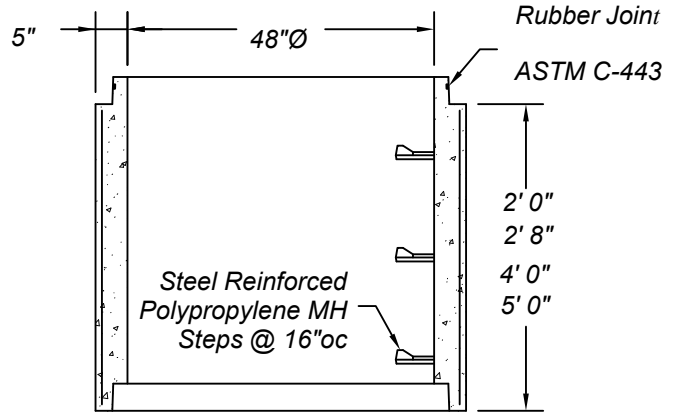
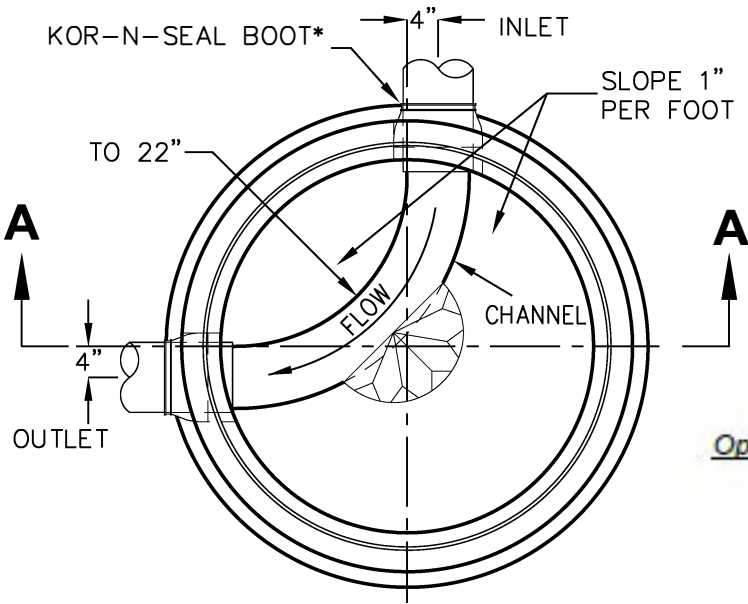


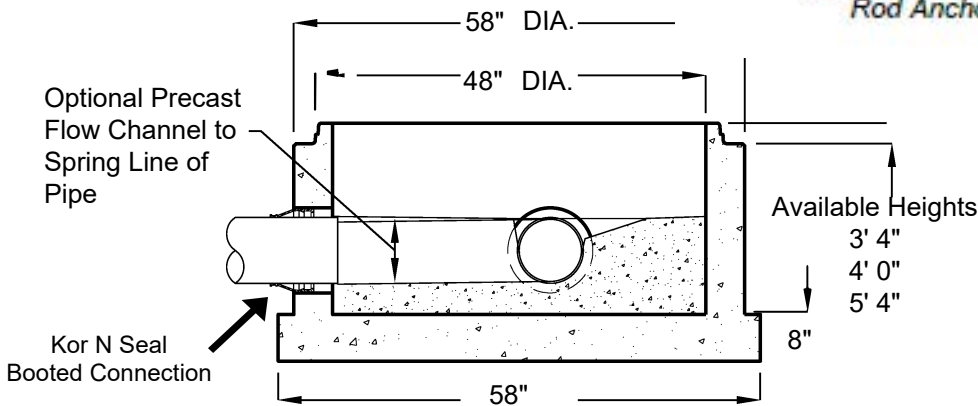
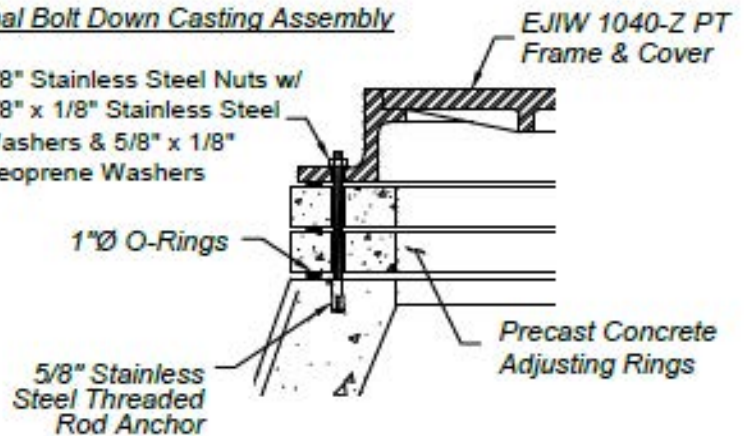
# 48" Sanitary Manhole

## Standard 48" Sanitary Manhole Risers



## Optional Bolt Down Casting Assembly

5/8" Stainless Steel Nuts w/  
5/8" x 1/8" Stainless Steel  
Washers & 5/8" x 1/8"  
Neoprene Washers



Manhole Components Are Manufactured To ASTM C-478 Specifications



Diamond Precast reserves the right to make changes to product design without notice.  
Please contact Diamond Precast whenever necessary for confirmation or advice on product design.