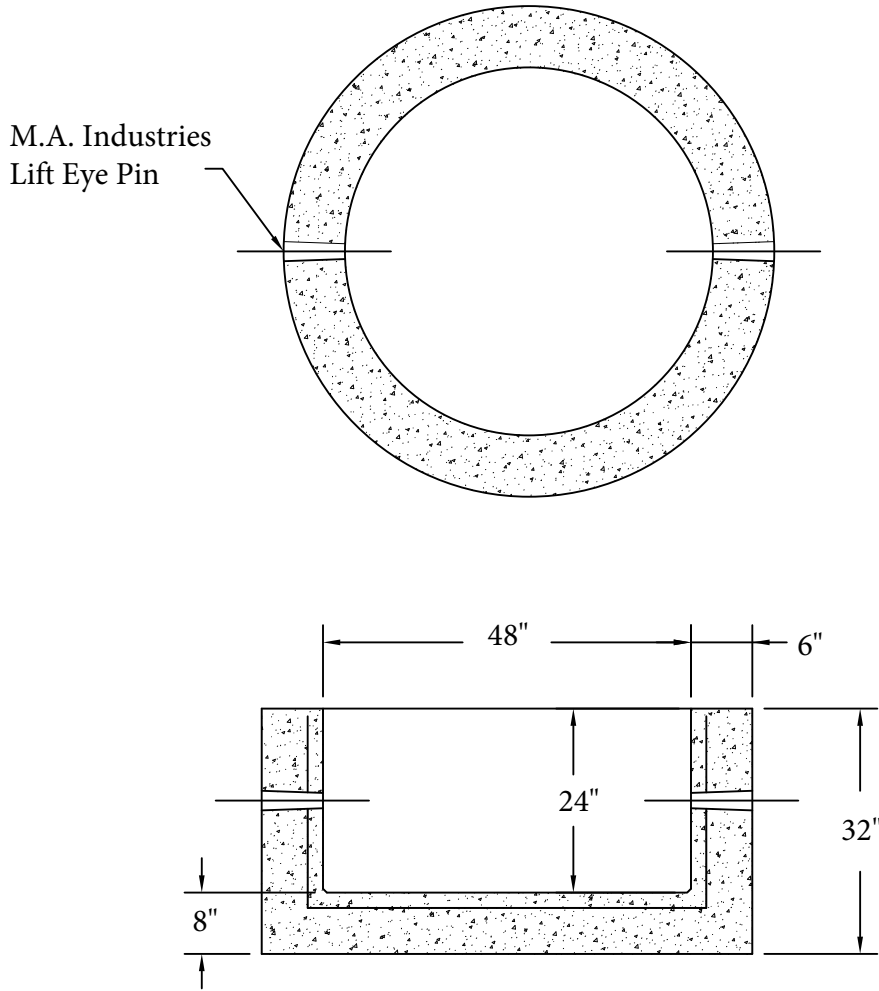


48" Heavywall Sump Base



Manhole Components Are Manufactured To ASTM C-478 Specifications



Diamond Precast reserves the right to make changes to product design without notice.
Please contact Diamond Precast whenever necessary for confirmation or advice on product design.