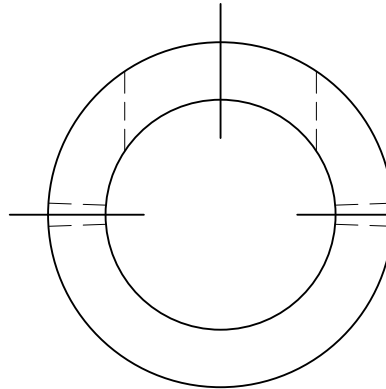


24" Heavywall Inlet

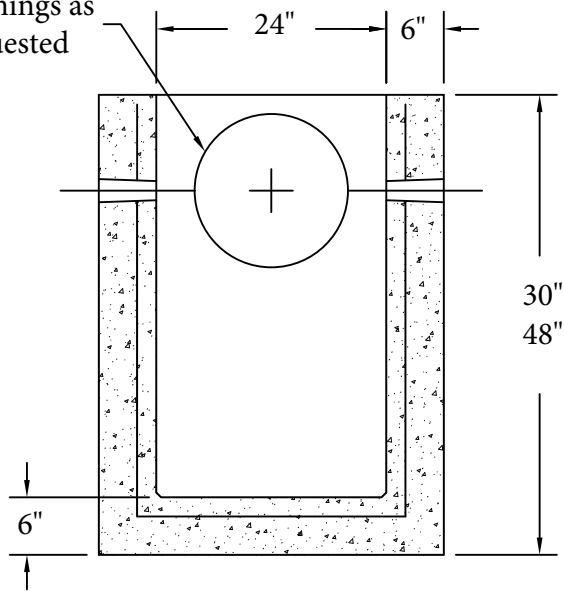


M.A. Industries
Life Eye Pin

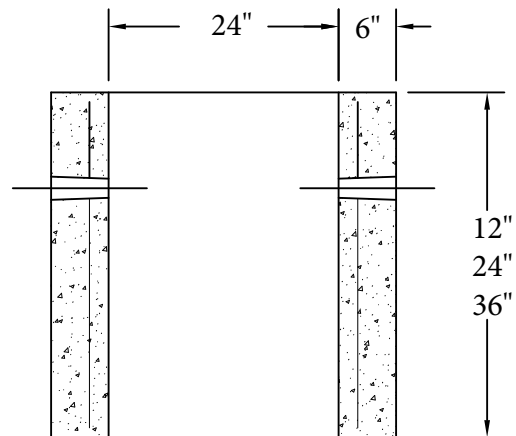
Standard Heavywall Bases

Standard Heavywall Riser Sections

Openings as Requested



Custom Heights Available Upon Order



Manhole Components Are Manufactured To ASTM C-478 Specifications



Diamond Precast Reserves the right to make changes to product design without notice.
Please contact Diamond Precast whenever necessary for confirmation or advice on product design.